

# Installation GUIDE



## **5 SERIES** Side-by-Side Refrigerator/Freezer

VCSB5423 / VCSB5483 / FDSB5423 / FDSB5483  
CVCSB5423 / CVCSB5483 / FDSB5423 / CFDSB5483

# Table of Contents

Warnings and Important Information _____	3
Dimensions & Specifications (Professional 42" & 48") _____	6
Dimensions & Specifications (Professional 42" & 48" with flush mount trim) _____	8
Cutout Dimensions (42") _____	10
Anti-Tip Dimensions (42") _____	11
Cutout Dimensions (48") _____	12
Anti-Tip Dimensions (48") _____	13
Cabinet Information _____	14
Cabinet Information (with flush mount trim) _____	15
Custom Side Panel Dimensions _____	16
Custom Side Panel Dimensions (with flush mount trim) _____	17
Custom Door Panel Dimensions _____	18
Custom Door Panel Installation _____	19
General Information _____	21
Unpacking & Moving _____	23
Flush Mount Side Trim Installation _____	24
Installation _____	25
Hinge Adjustment _____	25
Kickplate Installation _____	27
Door Stop Adjustment _____	28
Final Installation _____	29
Performance Checklist _____	30
Control Panels _____	31
Service & Registration _____	32

# IMPORTANT – Please Read and Follow!

- Make sure that incoming voltage is the same as unit rating. An electric rating plate specifying voltage, frequency, wattage, amperage, and phase is attached to the product.
- To reduce the risk of fire, electrical shock, or injury to persons, installation work and electrical wiring must be done by a qualified technician in accordance with all applicable codes and standards, including fire-rated construction.
- The installer should leave these instructions with the consumer who should retain them for local inspector's use and for future reference.

## **Your safety and the safety of others is very important.**

We have provided many important safety messages in this manual and on your appliance. **ALWAYS** read and obey all safety messages.



This is the safety alert symbol. This symbol alerts you to hazards that can kill or hurt you and others.

All safety messages will be preceded by the safety alert symbol and the word "DANGER" or "WARNING." These words mean:

## **⚠ DANGER**

**You will be killed or seriously injured if you don't follow instructions.**

## **⚠ WARNING**

**You can be killed or seriously injured if you don't follow instructions.**

All safety messages will identify the hazard, tell you how to reduce the chance of injury, and tell you what can happen if the instructions are not followed.

# IMPORTANT – Please Read and Follow!

**A GFI shall be used if required by NFPA-70 (National Electric Code), federal/state/local laws, or local ordinances.**

- The required use of a GFI is normally related to the location of a receptacle with respect to any significant sources of water or moisture.
- Viking Range, LLC will **NOT** warranty any problems resulting from GFI outlets which are not installed properly or do not meet the requirements below.

**If the use of a GFI is required,** it should be:


- Of the receptacle type (breaker type or portable type **NOT** recommended)
- Used with permanent wiring only (temporary or portable wiring **NOT** recommended)
- On a dedicated circuit (no other receptacles, switches or loads in the circuit)
- Connected to a standard breaker of appropriate size (GFI breaker of the same size **NOT** recommended)
- Rated for Class A (5 mA +/- 1 mA trip current) as per UL 943 standard)
- In good condition and free from any loose-fitting gaskets (if applicable in outdoor situations)
- Protected from moisture (water, steam, high humidity) as much as reasonably possible

# IMPORTANT – Please Read and Follow!

## It is your responsibility to:

- comply with installation specifications and dimensions.
- properly install unit.
- remove any moldings or decorative panels that prevent the unit from being serviced.
- make sure that you have these materials (not provided with your unit), which are necessary for proper installation:
  - 1/4" (6 mm) copper tubing with shutoff valve
  - 6– #8 x 3" (7.6 cm) wood screws (longer screws may be required)
  - 1– Saddle valve (do not use self-piercing feature of the valve)
- assure that floor will support unit, door panels and contents (approximately 1200 pounds [540 kg]).
- provide a properly grounded electrical outlet.
- assure that location will permit appliance doors to open 90° minimum.

**⚠ WARNING**



**ELECTRICAL SHOCK HAZARD**  
Disconnect power or turn power disconnect switch to OFF position before removing top grille. Failure to do so can result in death or electrical shock.

**⚠ WARNING**

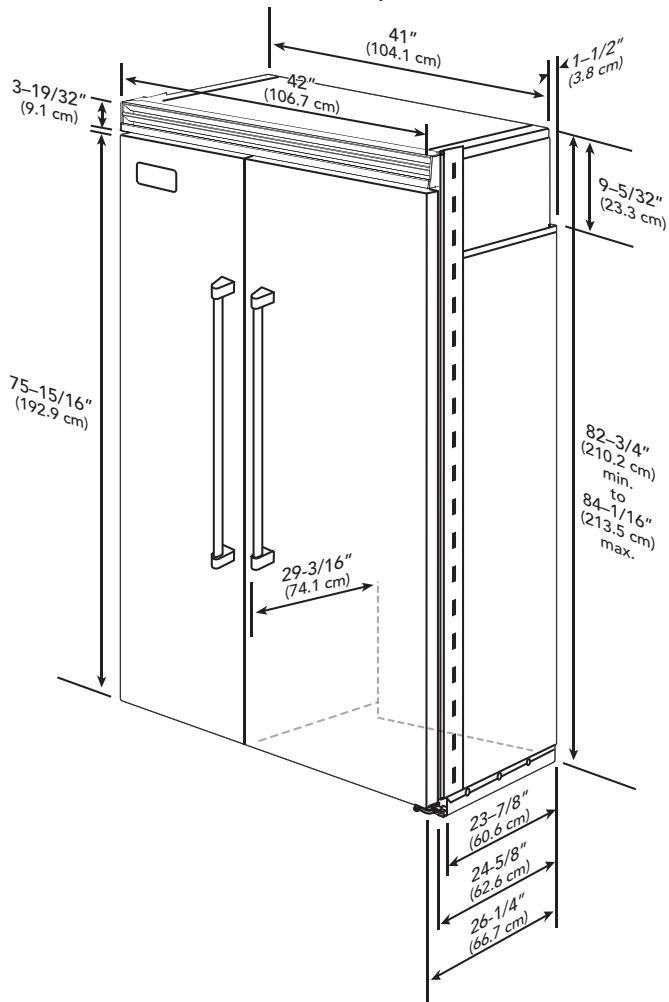


**TIP OVER HAZARD**  
Appliance is top heavy and tips easily when not completely installed. Keep doors closed until appliance is completely installed and secured per installation instructions.  
Use two or more people to move and install appliance. Failure to do so can result in death or serious injury.

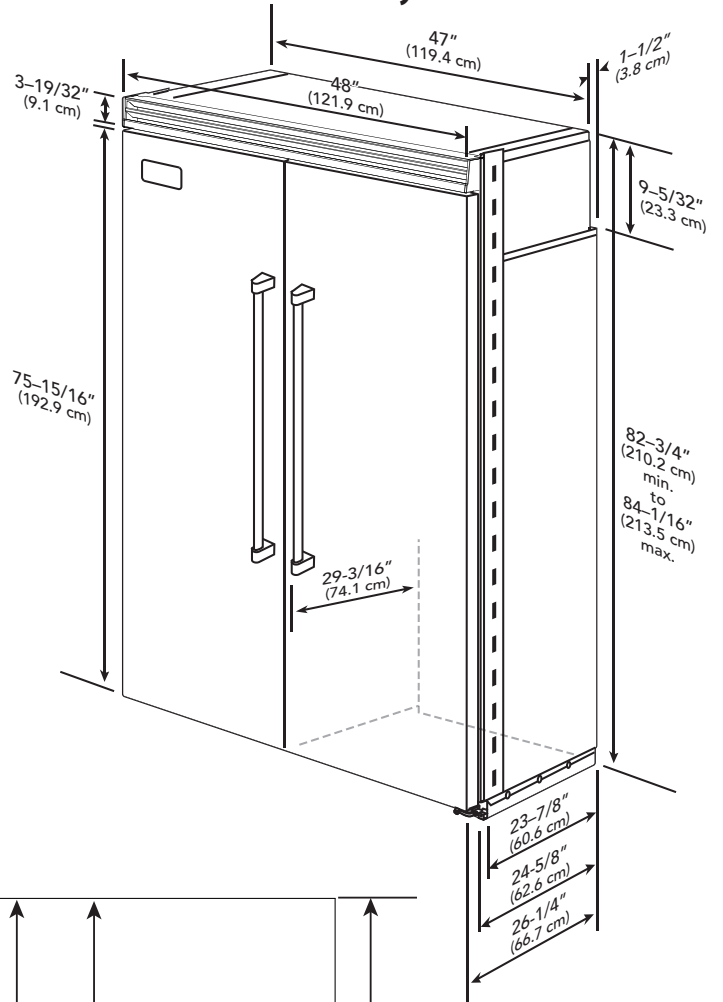
Most of the unit's weight is at the top. Extra care is needed when moving the unit to prevent tipping. Use cardboard shipping material or plywood under unit until it is installed in the operating position to protect floor surface.

# Dimensions (Side-By-Side)

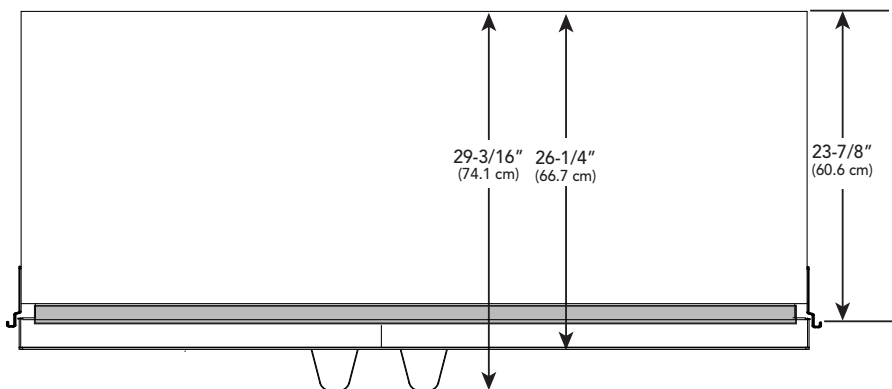
## 42" Side-By Side



## 48" Side-By Side



## Top View



# Specifications (Side-By-Side)

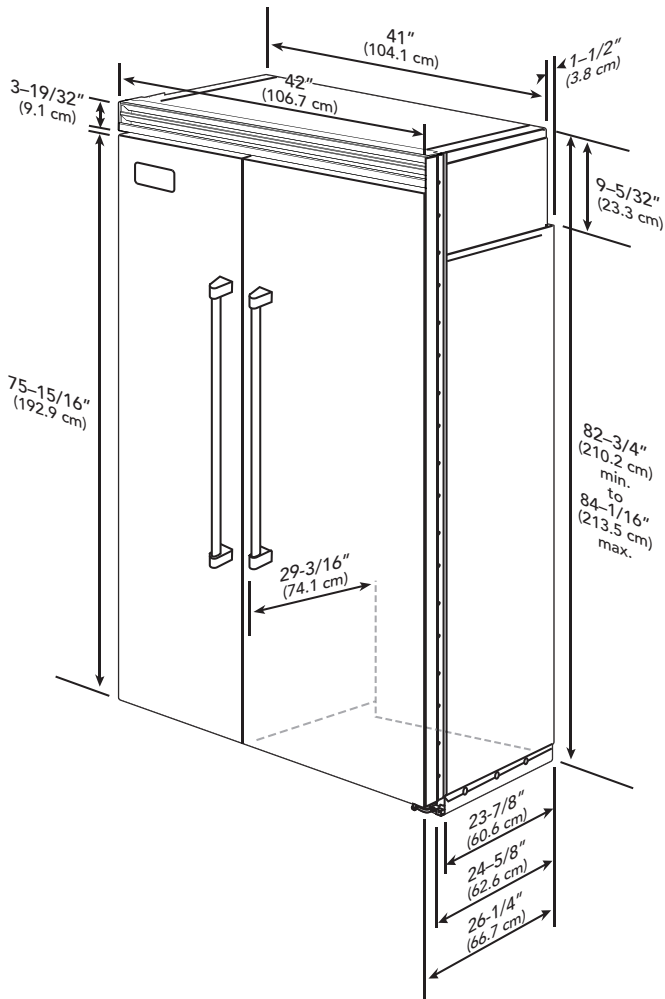
42" Side-By-Side	
Description	VCSB/CVCSB
Overall width	42" (106.7 cm)
Overall height (from bottom)	82-3/4" (210.2 cm) min. to 84-1/16" (213.5 cm) max.
Overall depth from rear	To front edge of side trim: 23-3/4 (60.3 cm) To front of top grille: 26-1/4" (66.7cm) To front of handle endcap: 29-3/16" (74.1 cm)
Cutout width	41-5/8" (105.7 cm) min. to 41-3/4" (106 cm) max.
Cutout height	82-7/8" (210.5 cm) min. to 84-1/16" (213.5 cm) max.
Standard Cutout depth	24" (61.0 cm) min.
Electrical requirements	115 volt, 60 Hz, 15 amp dedicated circuit; 3-wire cord with grounded 3-prong plug attached to product
Maximum amp usage	9.9 amps
Inlet water requirements	1/4" copper tubing inlet waterline; minimum 20 psi; maximum 120 psi
Overall interior dimensions	
Refrigerator	15.76 cu. ft. (446 liters)
Freezer	9.56 cu. ft. (271 liters)
Total capacity	25.32 cu. ft. (717 liters)
Approximate shipping weight	525 lbs. (238 kg)

48" Side-By-Side	
Description	VCSB/CVCSB
Overall width	48" (121.9 cm)
Overall height (from bottom)	82-3/4" (210.2 cm) min. to 84-1/16" (213.5 cm) max.
Overall depth from rear	To front edge of side trim: 23-3/4 (60.3 cm) To front of top grille: 26-1/4" (66.7 cm) To front of handle endcap: 29-3/16" (74.1 cm)
Cutout width	47-5/8" (121.0 cm) min. to 47-3/4" (121.3 cm) max.
Cutout height	82-7/8" (210.5 cm) min. to 84-1/16" (213.5 cm) max.
Standard Cutout depth	24" (61.0 cm) min.
Electrical requirements	115 volt, 60 Hz, 15 amp dedicated circuit; 3-wire cord with grounded 3-prong plug attached to product
Maximum amp usage	9.9 amps
Inlet water requirements	1/4" copper tubing inlet waterline; minimum 20 psi; maximum 120 psi
Overall interior dimensions	
Refrigerator	19.49 cu. ft. (552 liters)
Freezer	9.56 cu. ft. (271 liters)
Total capacity	29.05 cu. ft. (823 liters)
Approximate shipping weight	580 lbs. (263 kg)

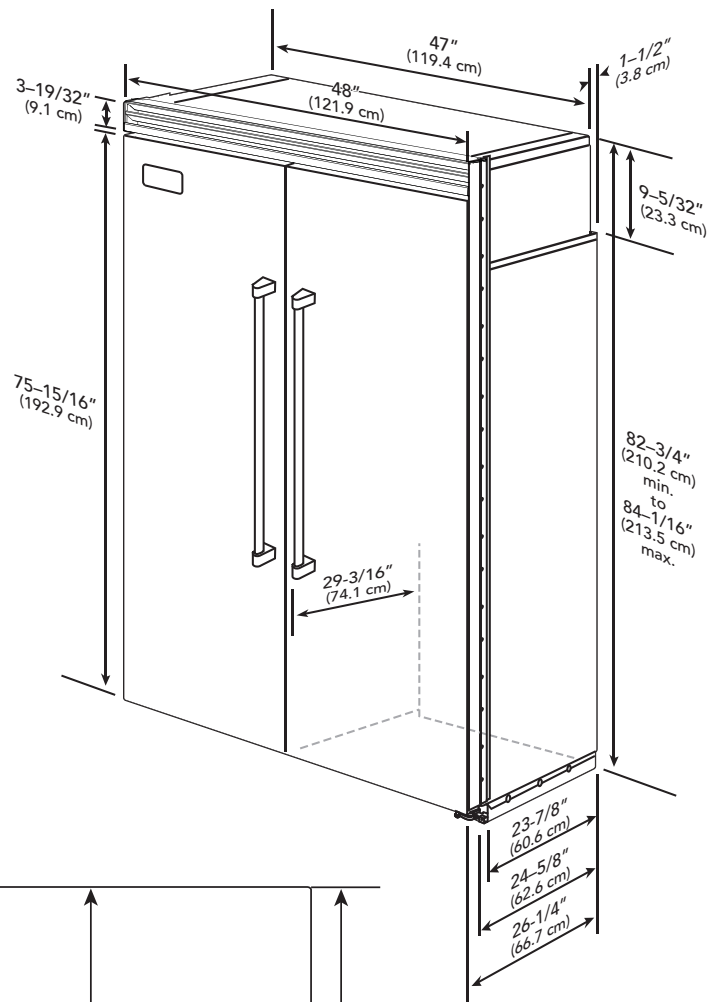
# Dimensions

(Flush Mount Trim and Custom Door Overlay)

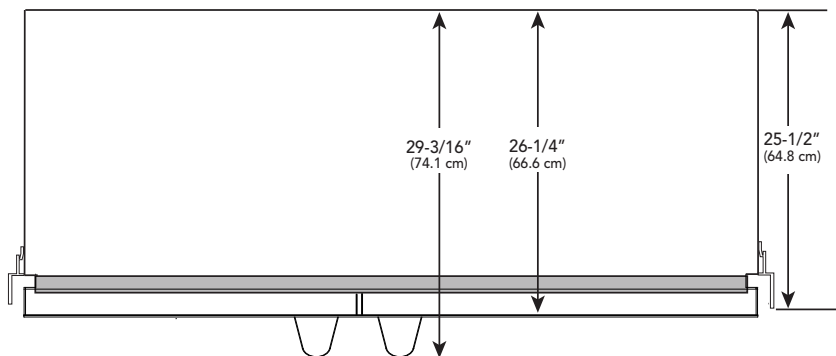
## 42" Side-By-Side with Flush Mount Trim



## 48" Side-By-Side with Flush Mount Trim



## Top View





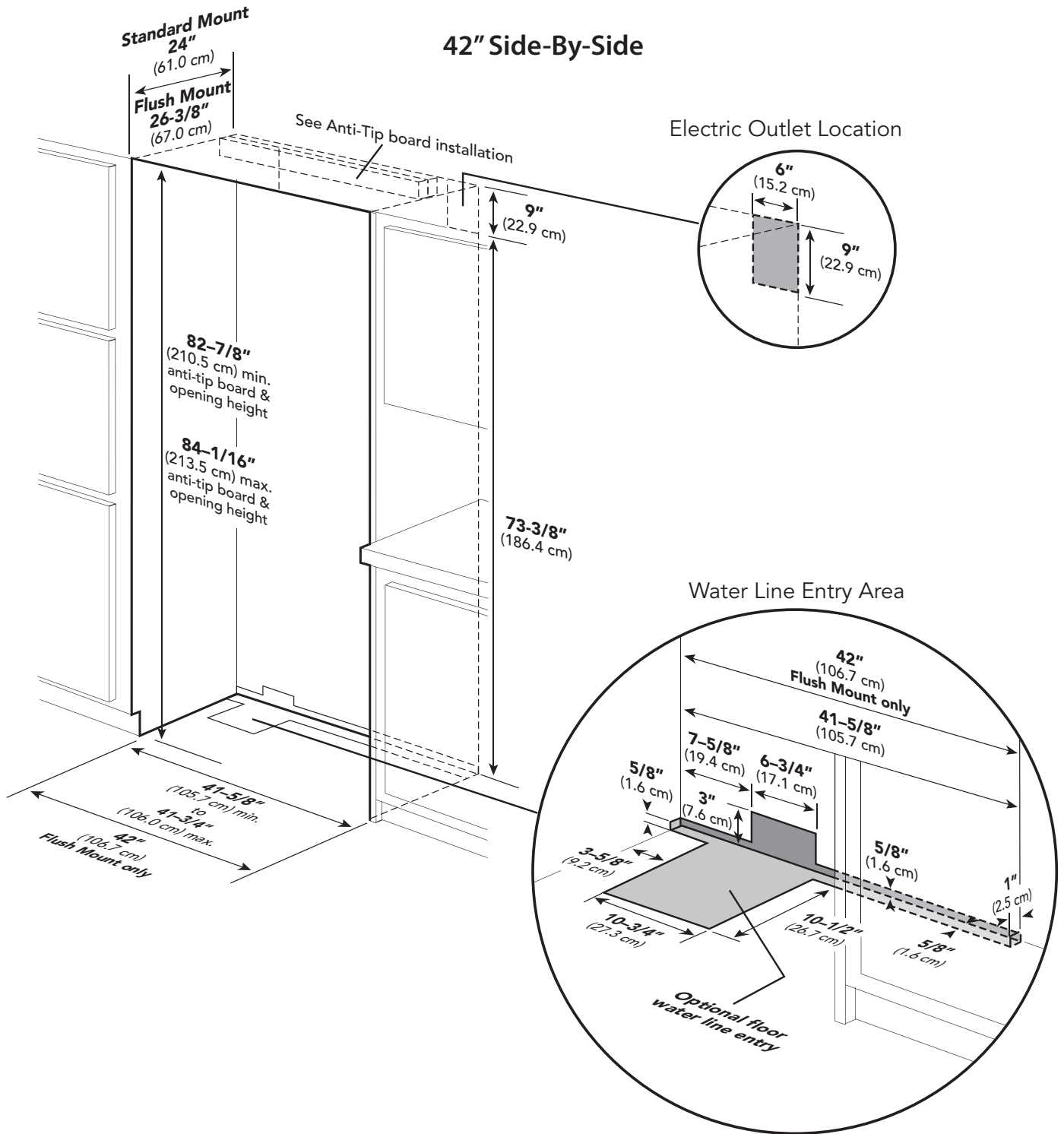
# Specifications

(Flush Mount Trim and Custom Door Overlay)

42" Side-By-Side Flush Mount Trim and Custom Door Overlay		
Description	VCSB/CVCSB Flush Mount	FDSB/CFDSB
Overall width	42" (106.7 cm)	
Overall height (from bottom)	82-3/4" (210.2 cm) min. to 84-1/16" (213.5 cm) max.	
Overall depth from rear	To front edge of side trim: 25-1/2" (64.8) To front of top grille: 26-1/4" (66.7 cm) To front of handle endcap: 29-3/16" (74.1 cm)	
Cutout width	42" (106.7 cm)	
Cutout height	82-7/8" (210.5 cm) min. to 84-1/16" (213.5 cm) max.	
Flush Mount Cutout depth	26-1/2" (67.3 cm) min.	
Electrical requirements	115 volt, 60 Hz, 15 amp dedicated circuit; 3-wire cord with grounded 3-prong plug attached to product	
Maximum amp usage	9.9 amps	
Inlet water requirements	1/4" copper tubing inlet waterline; minimum 20 psi; maximum 120 psi	
Overall interior dimensions		
Refrigerator	15.76 cu. ft. (446 liters)	
Freezer	9.56 cu. ft. (271 liters)	
Total capacity	25.32 cu. ft. (717 liters)	
Maximum Panel WT		
Freezer	N/A	30 lbs (13.6 kg)
Refrigerator	N/A	38 lbs (17.2 kg)
Approximate shipping weight	525 lbs. (238 kg)	

48" Side-By-Side Flush Mount Trim and Custom Door Overlay		
Description	VCSB/CVCSB Flush Mount	FDSB/CFDSB
Overall width	48" (121.9 cm)	
Overall height (from bottom)	82-3/4" (210.2 cm) min. to 84-1/16" (213.5 cm) max.	
Overall depth from rear	To front edge of side trim: 25-1/5" (64.8 cm) To front of top grille: 26-1/4" (66.7 cm) To front of handle endcap: 29-3/16" (74.1 cm)	
Cutout width	48" (121.9 cm)	
Cutout height	82-7/8" (210.5 cm) min. to 84-1/16" (213.5 cm) max.	
Flush Mount Cutout depth	26-1/2" (67.3 cm) min.	
Electrical requirements	115 volt, 60 Hz, 15 amp dedicated circuit; 3-wire cord with grounded 3-prong plug attached to product	
Maximum amp usage	9.9 amps	
Inlet water requirements	1/4" copper tubing inlet waterline; minimum 20 psi; maximum 120 psi	
Overall interior dimensions		
Refrigerator	19.49 cu. ft. (552 liters)	
Freezer	9.56 cu. ft. (271 liters)	
Total capacity	29.05 cu. ft. (823 liters)	
Maximum Panel WT		
Freezer	N/A	30 lbs (13.6 kg)
Refrigerator	N/A	48 lbs (21.8 kg)
Approximate shipping weight	580 lbs. (263 kg)	

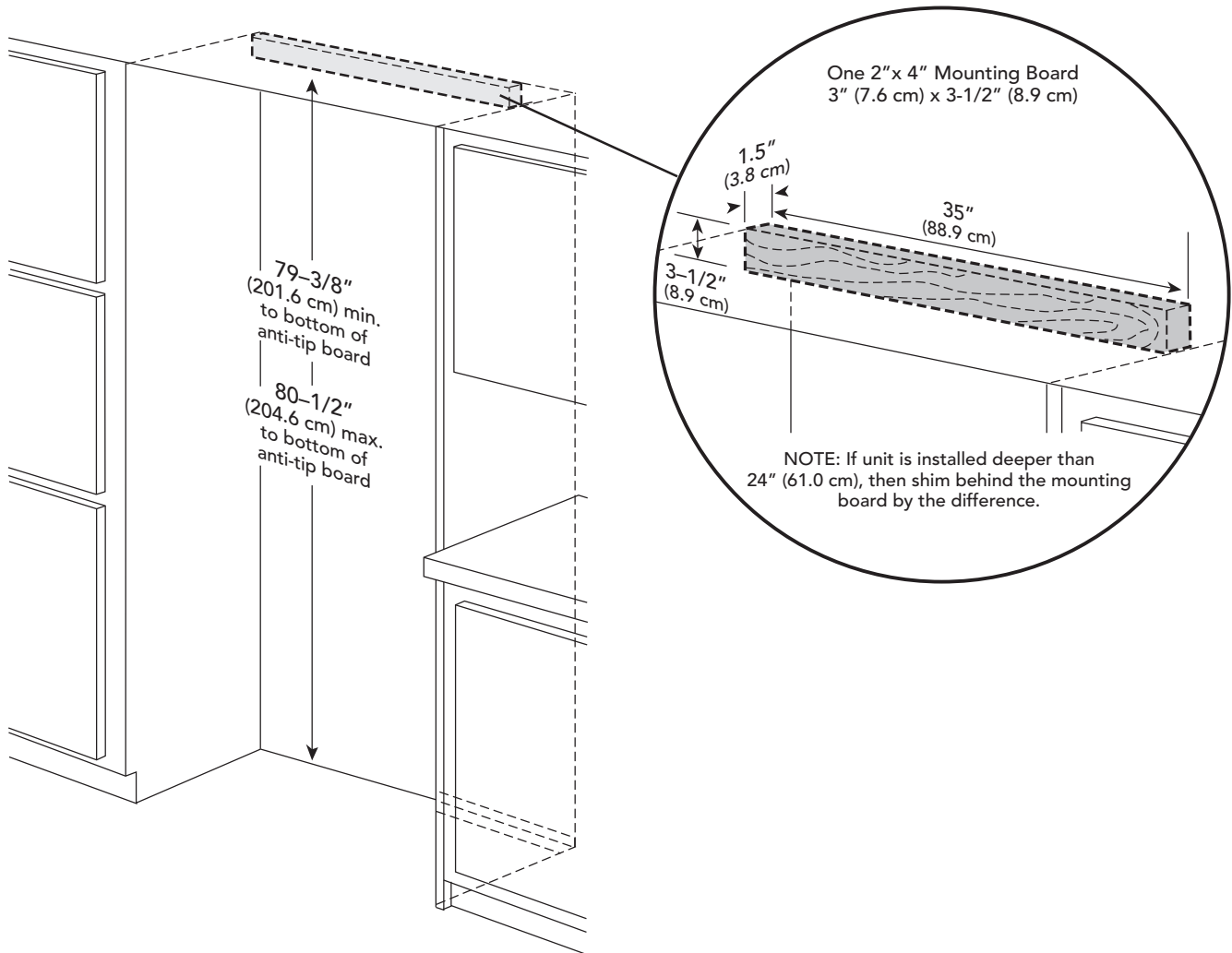
# Cutout Dimensions



# Anti-Tip Dimensions

## 42" Side-By-Side

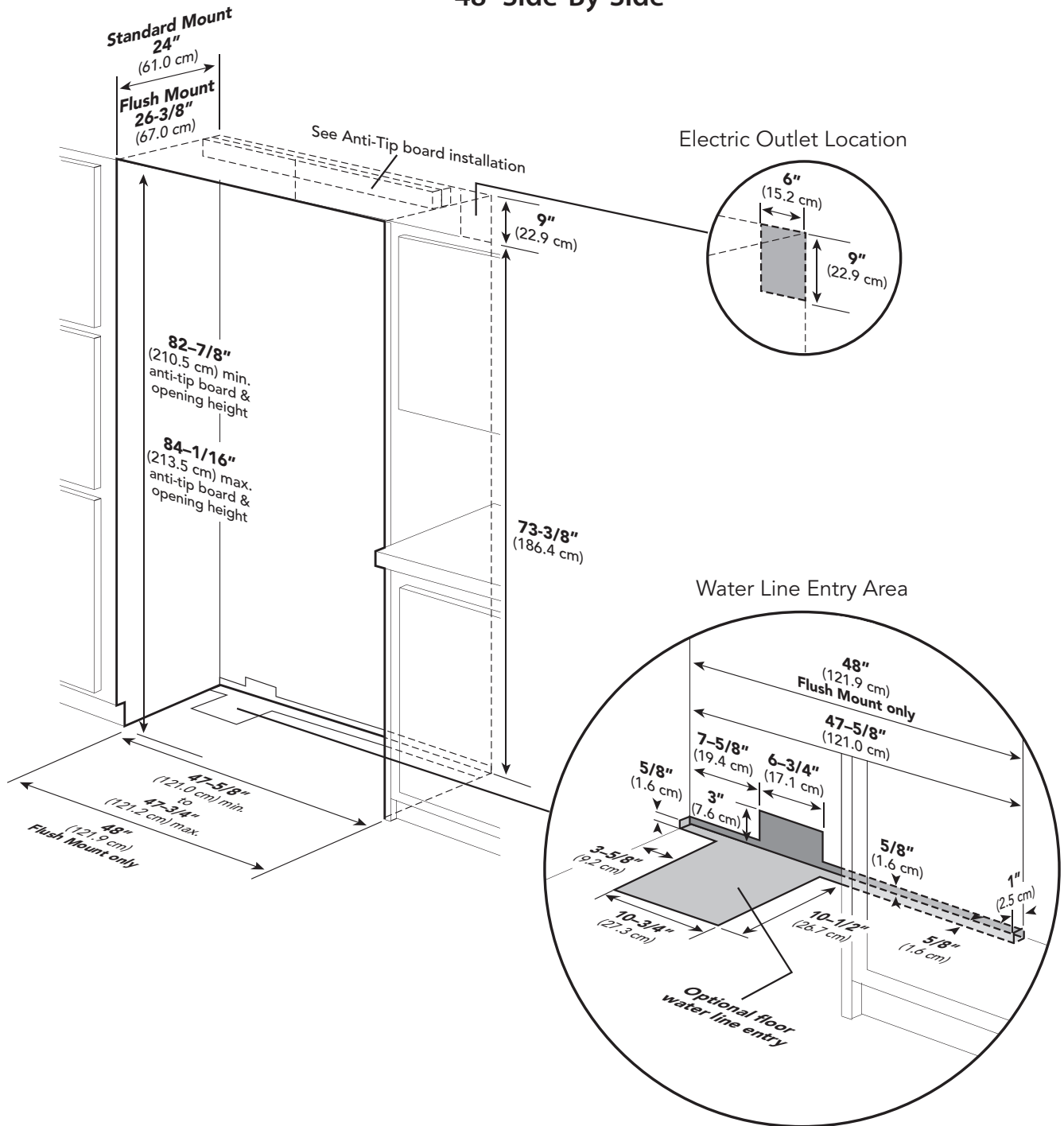
### Anti-Tip Location



Bottom of anti-tip board is 3-7/8" (9.8 cm) below opening height.  
NOTE: Top of unit must be placed firmly under anti-tip board.

# Cutout Dimensions

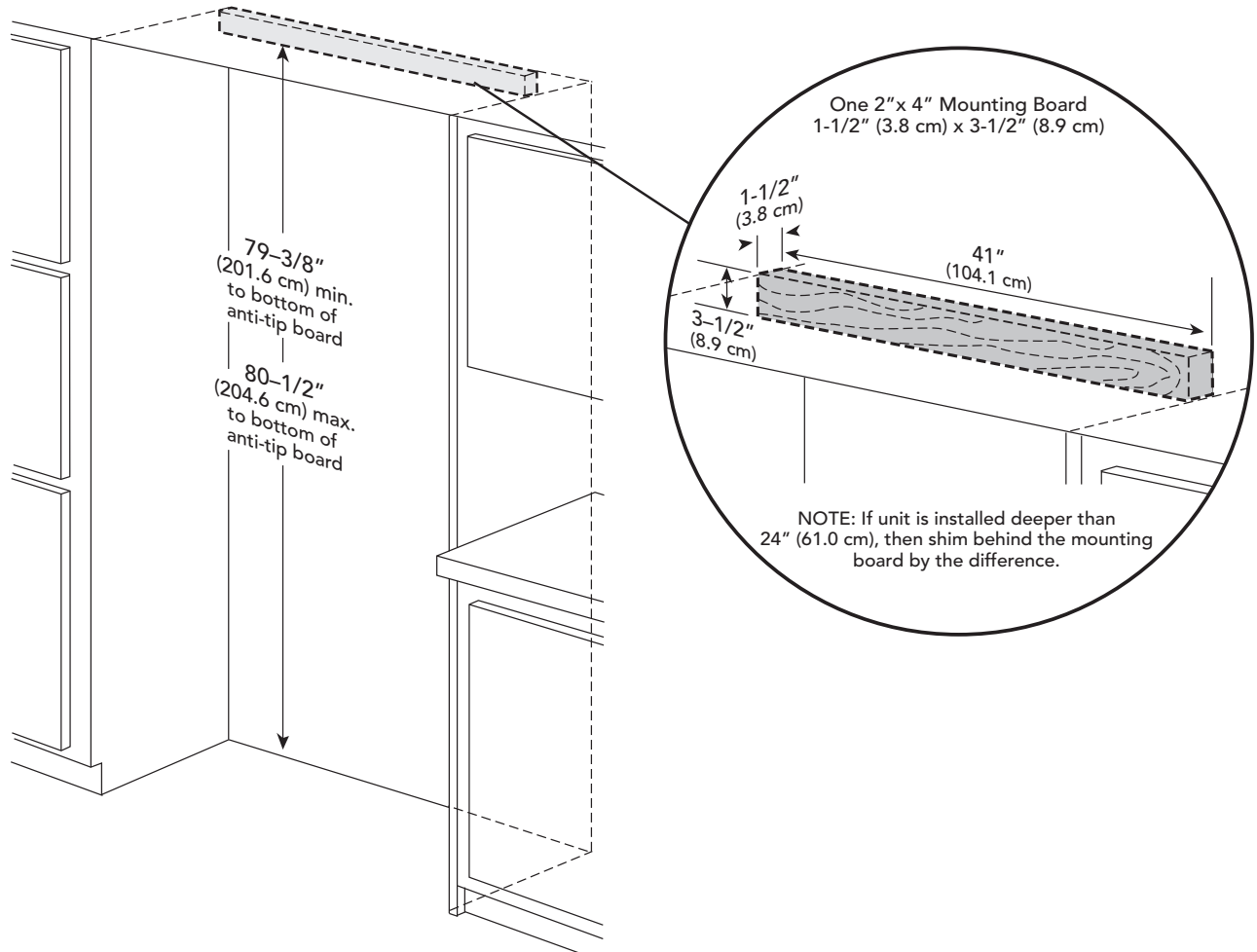
## 48" Side-By-Side



# Anti-Tip Dimensions

## 48" Side-By-Side

## Anti-Tip Location

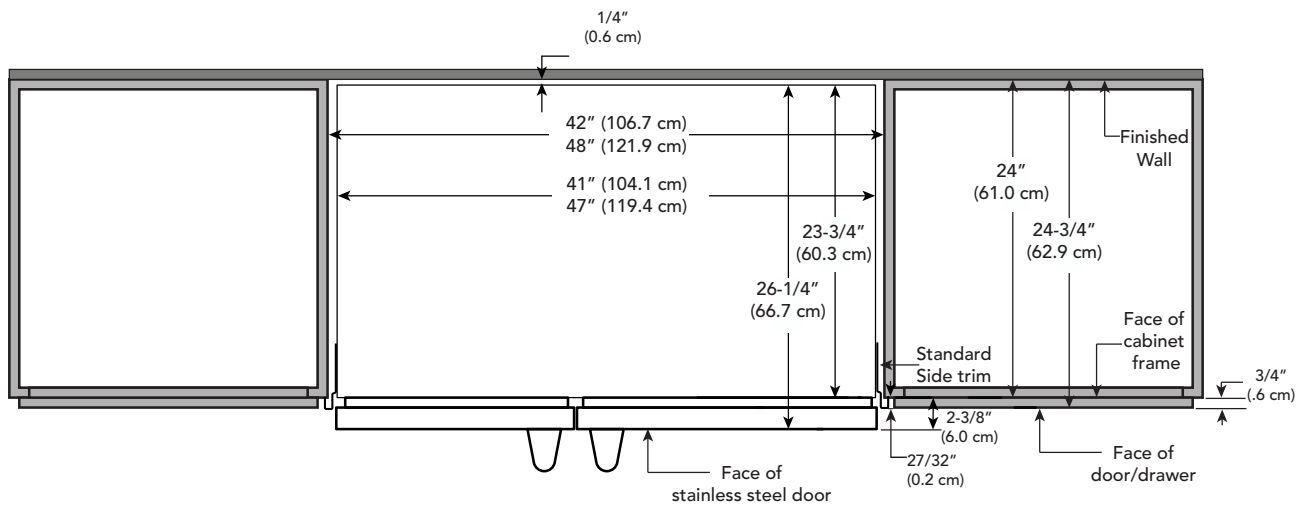


Bottom of anti-tip board is 3-7/8" (9.8 cm) below opening height.  
NOTE: Top of unit must be placed firmly under anti-tip board.

# Cabinet Information

For installation in 24" (61.0 cm) deep cabinets, the door face protrudes 2-3/4" (7.0 cm) from the cabinet face. The handle protrudes an additional 2-15/16" (7.5 cm) into the room.

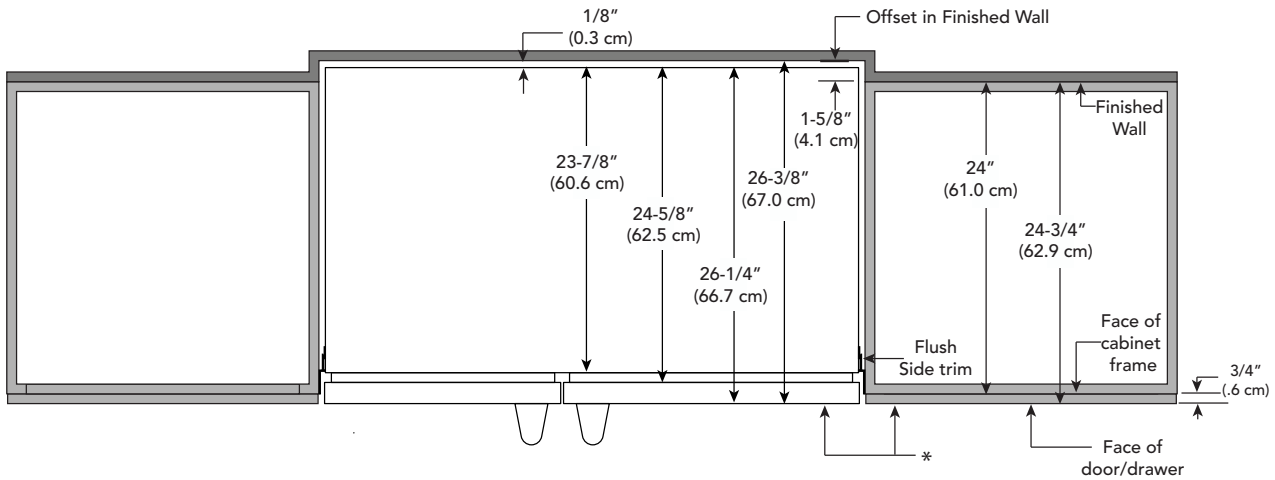
## Standard Mount Installation



\* Refrigerator foam cabinet can vary in depth +/- 1/8" (0.3 cm)

# Cabinet Information (with Flush Mount Trim)

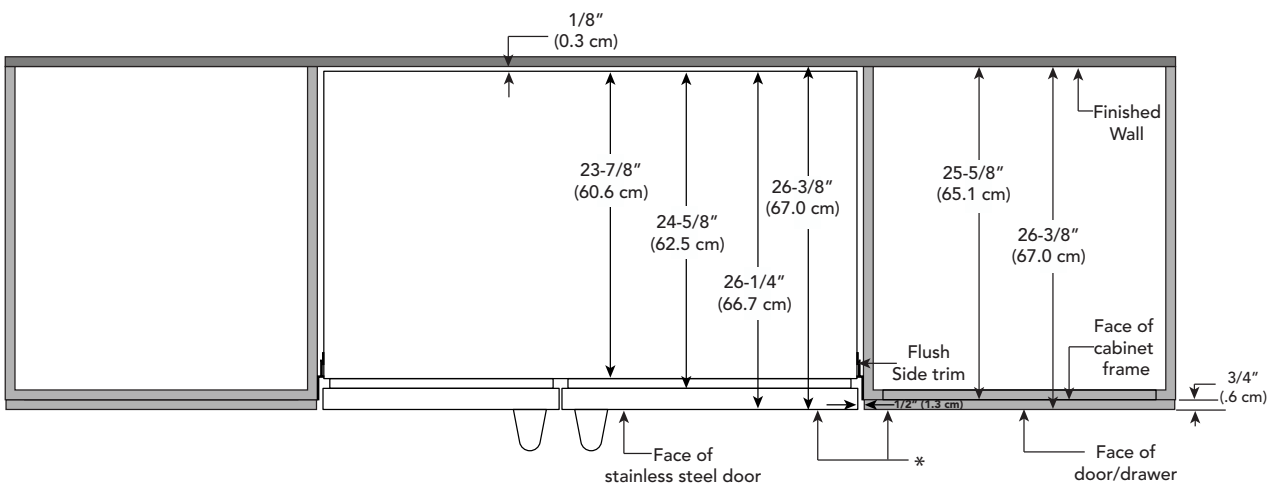
## Flush Mount Installation with Standard Cabinets



\*The face of the door skin needs to be on the same plane, flush with the cabinets. If the door face is pushed in past the surface of the cabinet, the door could run into cabinetry when it is in the full open position.

The hinge stop needs to be placed at 90 or 110 degrees.

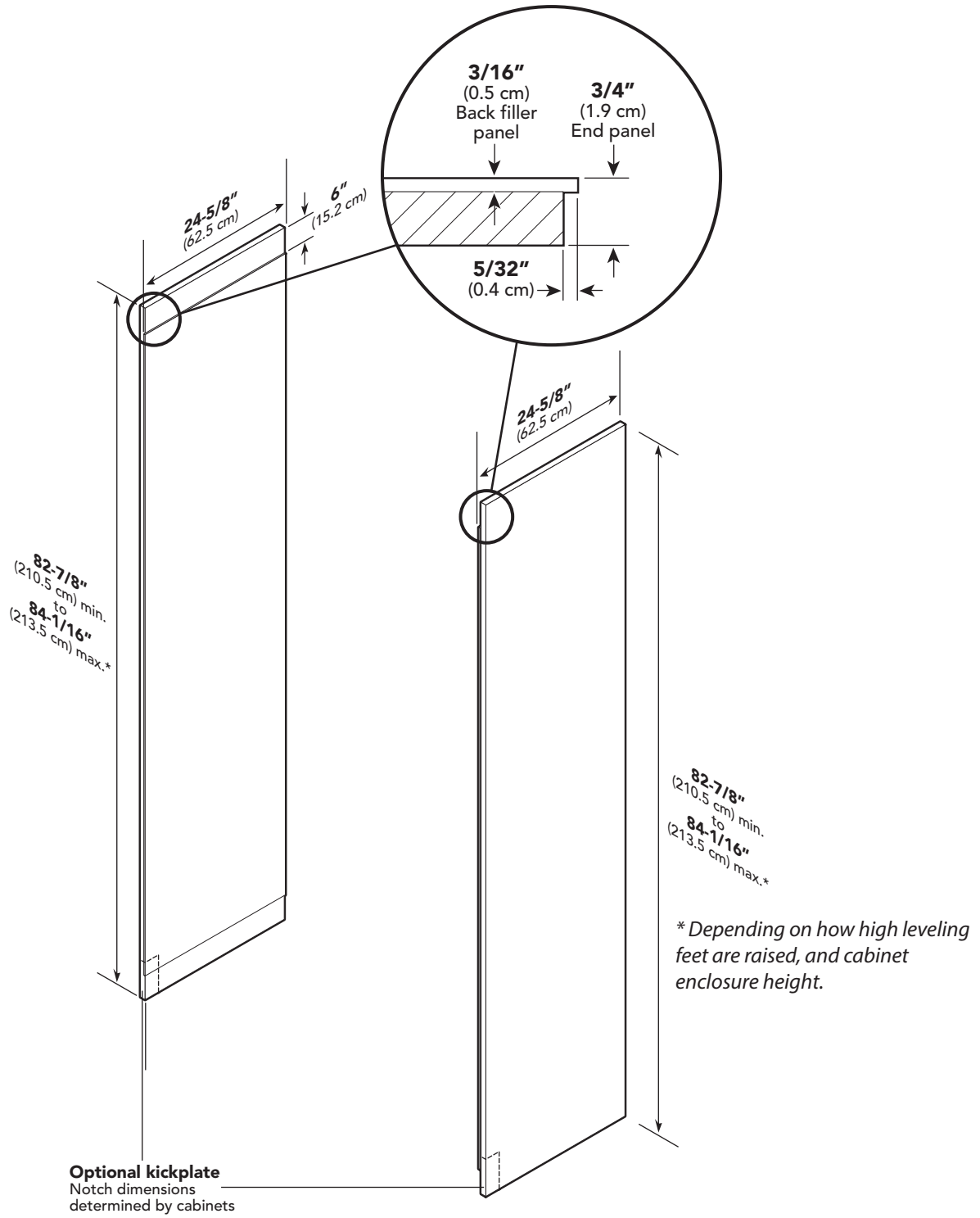
## Flush Mount Installation with Custom Cabinets



\*The face of the door skin needs to be on the same plane, flush with the cabinets. If the door face is pushed in past the surface of the cabinet, the door could run into cabinetry when it is in the full open position.

The hinge stop needs to be placed at 90 or 110 degrees.

# Custom Side Panel Dimensions



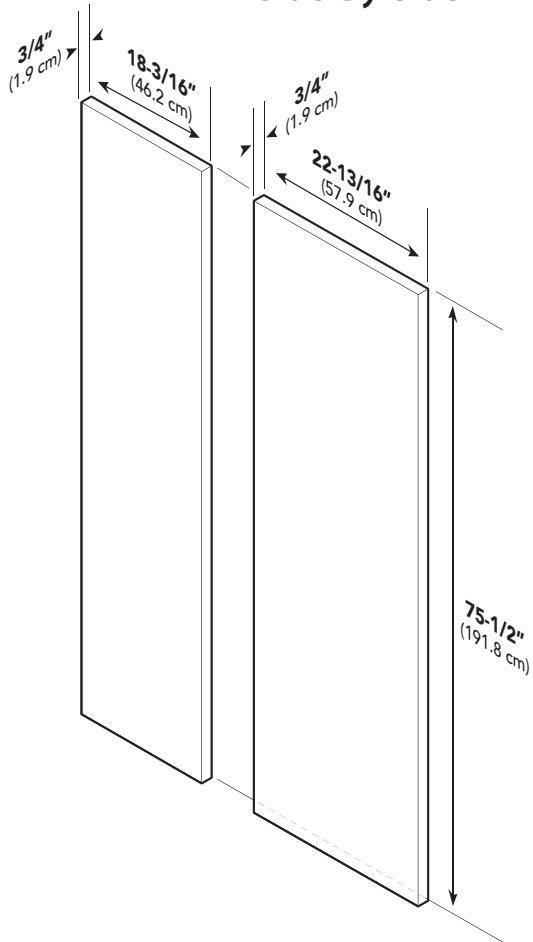




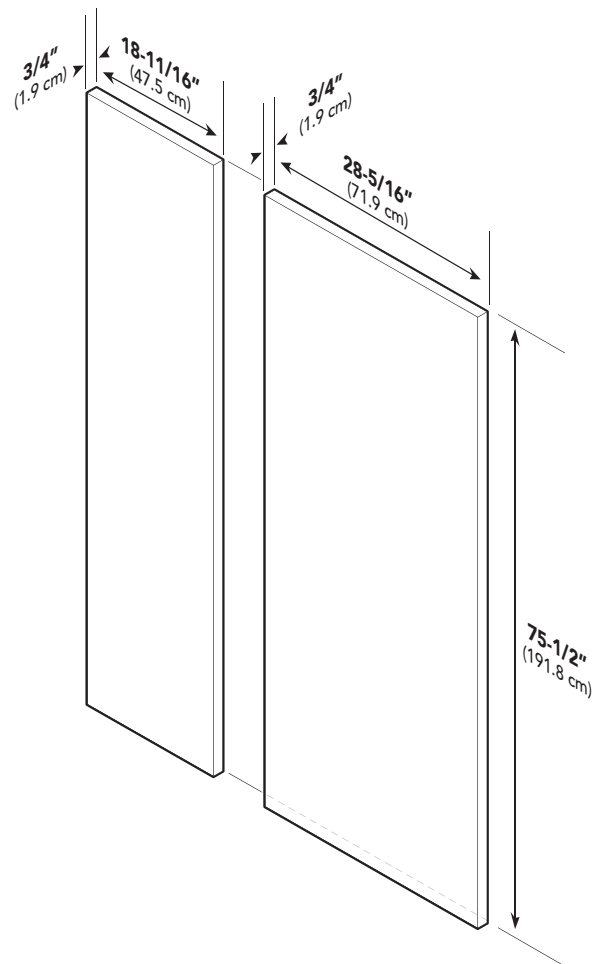
# Custom Door Panel Dimensions

	Maximum Panel WT	
	42"	48"
Freezer	30lbs (13.6 kg)	30lbs (13.6 kg)
Refrigerator	38lbs (17.2 kg)	48lbs (21.8 kg)

## 42" Side-By-Side

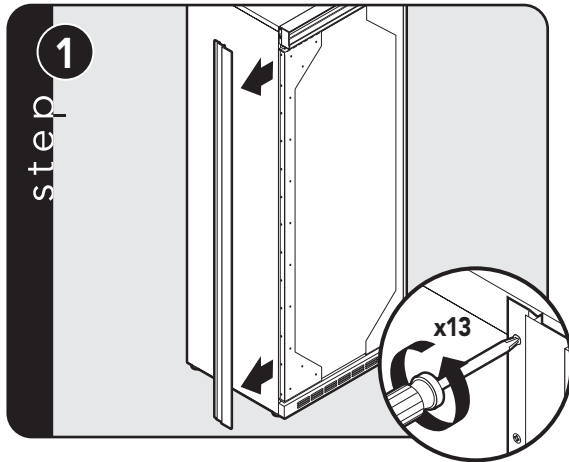


## 48" Side-By-Side

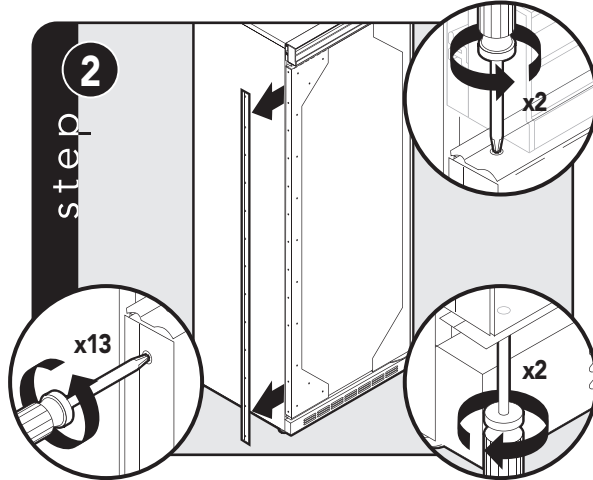


**Note:** Panel overlays must be dry, solid, straight one piece panels. The use of multiple panel pieces to achieve the dimensions is not recommended.

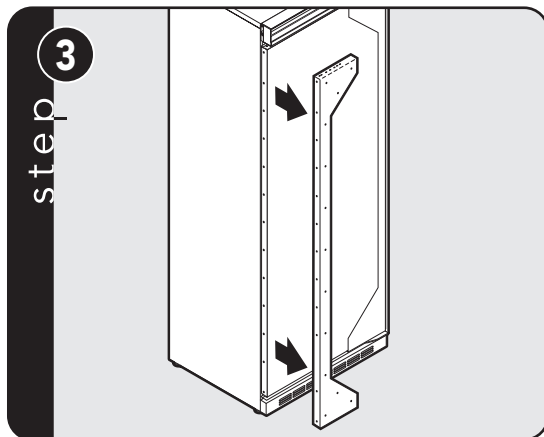
# Custom Door Panel Installation



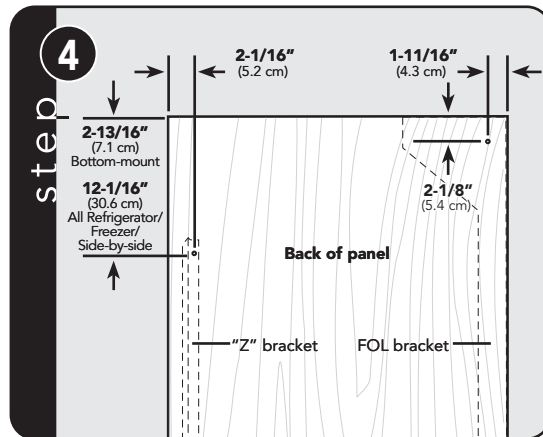
Remove handle side cabinet screws and trim with a Phillips screwdriver.



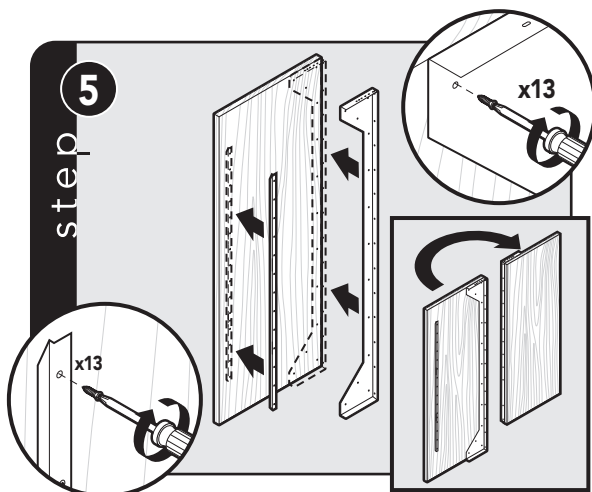
Remove all screws from handle side door trim. Remove two screws from top and bottom door trim. Remove handle side door trim.



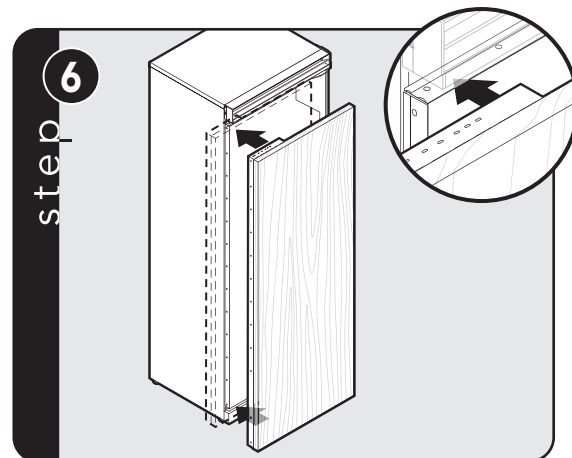
Remove bracket.



Measure and mark the first hole for each bracket.

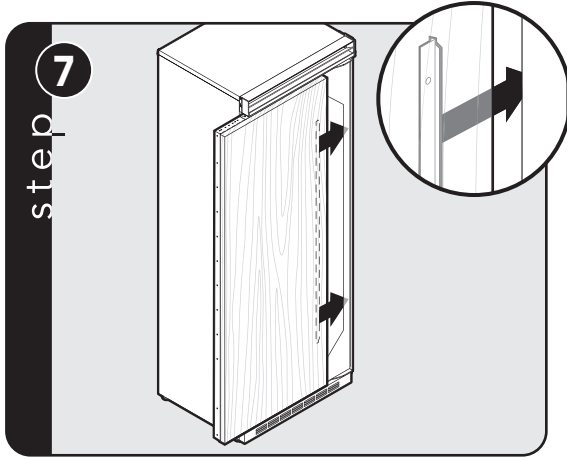


Attach "Z" bracket to the hinge side of custom panel.  
Attach bracket to the handle side of custom panel.

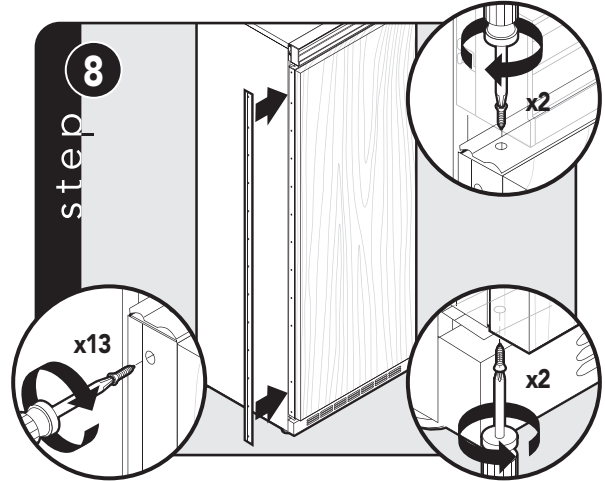


Push custom wood panel onto door.

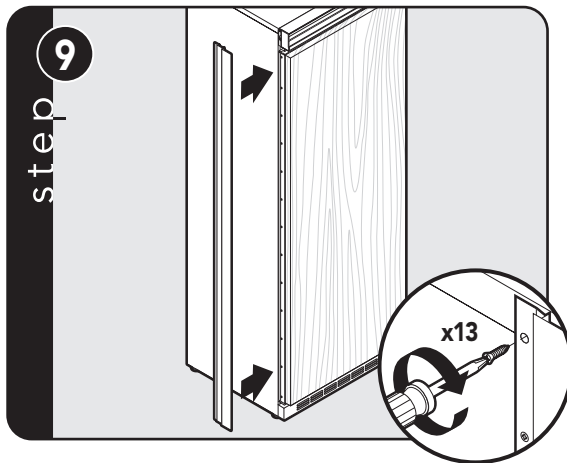
# Custom Door Panel Installation



Slide custom wood panel to the hinge side, ensuring "Z" bracket engages the door bracket.



Reinstall handle side door trim and door trim screws.



Reinstall cabinet trim and screws.

# General Information

## Area Requirements

Verify the following:

- Unit can fit into residence and can be moved around corners and through doorways.
- Floors can support unit's weight plus food weight (approximately 1200 pounds [540 kg] per unit).
- Floors underneath refrigerator are level with surrounding finished floor.
- Rear wall is solid and is able to support two horizontally mounted 2 x 4s (included) bolted to two wall studs. The 2 x 4 board bolt heads must be flush with 2 x 4 to prevent obstruction.
- Remove anything attached to rear or side walls that can obstruct unit installation.
- Cutout dimensions are accurate.
- Electrical outlet is in correct location.
- Water line is in correct location.
- **DO NOT** install a refrigeration unit near a heat source, nor in a location where the surrounding temperature will fall below 60° F (16° C).

## Electrical Requirements

It is the customer's responsibility to:

- Contact a qualified electrical installer.
- Assure that the electrical installation is adequate and in conformance with the National Electrical Code, ANSI/NFPA 70-latest edition or Canadian Electrical Code C22.1-1998 and C22.2 No. 0-M91 (or latest edition), and all local codes and ordinances.

A 115 volt, 60-Hz, 15 amp, fused, electrical supply is required. It is required that a separate circuit serving only this appliance be provided. This appliance is equipped with a power supply cord having a 3-prong grounding plug. To minimize possible shock hazard, the cord must be plugged into a mating 3-prong, grounding-type wall receptacle. **DO NOT** use an extension cord.

If codes permit a separate grounding wire to be used, it is recommended that a qualified electrician determine that the grounding path is adequate.

**DO NOT** ground to a gas line. Check with a qualified electrician if you are not sure if the appliance is properly grounded. **DO NOT** have a fuse in the neutral or grounding circuit.

## Anti-Tip Requirements

The anti-tip boards should be fastened into position prior to moving the unit into the opening.

***Note:** Additional mounting boards may be required if the unit does not touch the back wall of the enclosure. To prevent unit from tipping forward, it must be secured in place with a solid soffit or wood block.*

# General Information

## **⚠ WARNING**

To avoid serious illness or death, **DO NOT** use unit where water is microbiologically unsafe or of unknown quality, without adequate disinfection before or after the system. Systems certified for cyst reduction may be used on disinfected water that may contain filterable cysts. The contaminants or other substances removed or reduced by this water treatment system are not necessarily in your water.

### Water Supply Requirements

Use only 1/4" (6 mm) copper tubing for water line. **DO NOT** install copper tubing in area where temperatures drop below 35° F (1.7° C). Before attaching copper tubing to the unit, flush at least 2 quarts (1.9 L) of water through the copper tubing and into a bucket to remove any particles in the water line.

• Viking Range, LLC is not responsible for property damage due to improper installation or water connection.

- Connect 1/4" (6 mm) flexible copper tubing to household plumbing in compliance with local codes and ordinances.
- Length of copper tubing must reach from water supply connection to the unit connection with an additional length to facilitate moving the unit out of enclosure for cleaning or service. Tubing should be soft instead of rigid and ends should be free of burrs.
- Copper tubing route must be above 35° F (1.7° C) to prevent water line from freezing.

- **DO NOT** use plastic water lines from the household plumbing to the water inlet valve connection on the refrigeration unit.
- **DO NOT** use the self-piercing feature of a saddle valve. The hole made by the piercing lance is too small for the water flow rate required by the ice maker.
- If saddle valve is not used, place a separate shut-off valve in an easily accessible location between water supply and the unit. **DO NOT** install shut-off valve behind the unit.
- The installation of Viking Range units with a reverse osmosis system is acceptable as long as the water pressure remains within the allowable PSI as stated below. It is important to note that with many reverse osmosis systems, the pressure starts off high, but then it decreases as the water level of the reverse osmosis storage area drops. This must be considered when checking the water pressure coming into the unit.
- Connect a vertical or horizontal 1/2" (1.3 cm) to 1-1/4" (3.2 cm) COLD water line near water area.
- Run water line through the floor, back, or side wall. Tubing should lay flat on floor underneath the unit. Clamp tubing to wall or floor.
- Water pressure must be greater than 20 psi and less than 120 psi on non-dispensers and greater than 35 psi and less than 120 psi on dispensers.

# General Information

## Area Requirements

- Most of the unit's weight is at the top. Extra care is needed when moving the unit to prevent tipping.
- **DO NOT** remove protective film until unit is in operating position.
- All four leveling legs must contact the floor to support and stabilize the full weight.
- **DO NOT** drop unit.
- Remove exterior shipping materials prior to moving unit into home, except door latching device.
- Use two or more people to move and install unit. Failure to follow this instruction can result in back or other injury.
- To avoid personal injury, wear gloves when performing any installation procedure and wear eye protection when cutting metal straps.

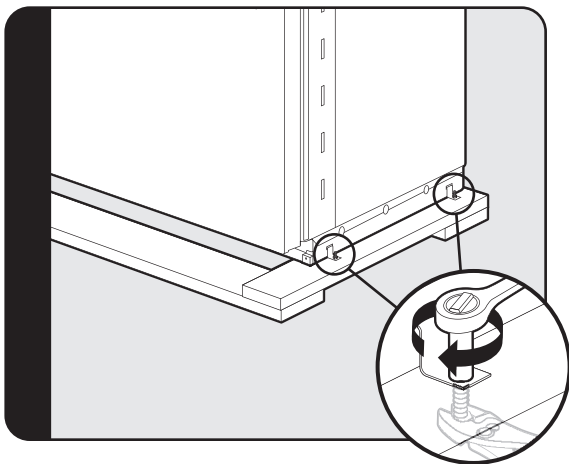
## Tip Over Hazard

Appliance is top heavy and tips easily when not completely installed. Keep doors closed until appliance is completely installed and secured per installation instructions. Use two or more people to move and install appliance. Failure to do so can result in death or serious injury.

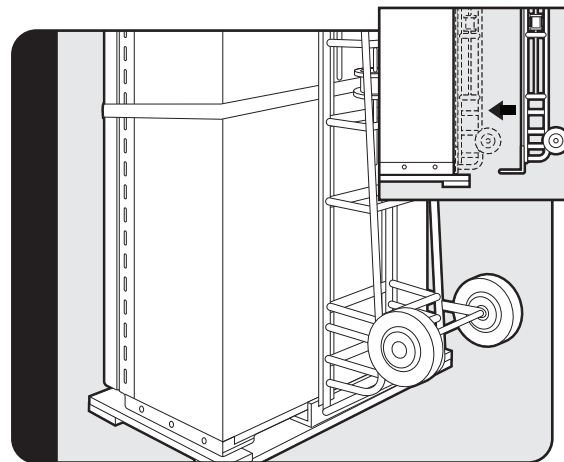
## Unpacking Unit

1. Remove top and bottom strap.
2. Remove top cap.
3. Cut carton rear approximately 1/4" (0.6 cm) to 1" (2.5 cm) from right corner with a utility knife extended 1/4" (0.6 cm).
4. Remove carton and exterior packaging. Save cardboard shipping material to protect floor surface when installing unit. Remove anti-tip board and kickplate from rear of unit.

## Moving Unit



Remove shipping brackets from skid by removing four bolts (two on each side) with a 1/2" (1.3 cm) deep-well socket wrench and a pair of pliers. **Note:** Tilting unit is not required to remove shipping brackets.



Slip appliance dolly between unit and skid. Remove unit from skid. **Note:** Use excess packaging to protect decorative trim; also, verify that leveling legs are up (0" adjustment).

# Flush Mount Side Trim Installation

(Sold Separately)

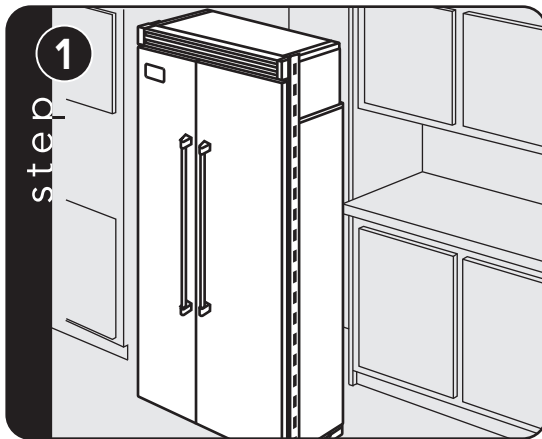
**Note:** If the unit is to be installed flush with the cabinets, the flush mount side trim must be installed first. If not, skip to "Installation".

**Step 1** - Locate the necessary parts: Two (2) flush mount trim pieces and a hardware kit with twenty-two (22) screws.

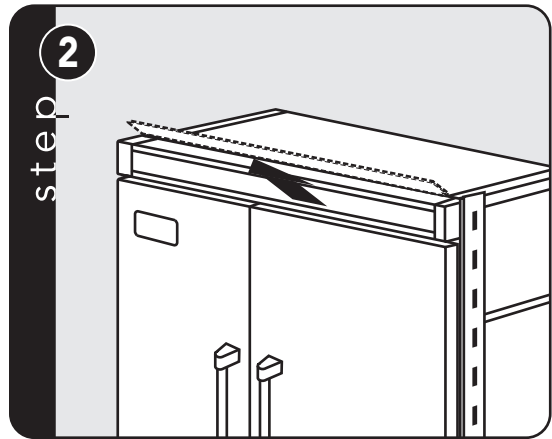
**Step 2** - Remove the side trim on the refrigerator and discard the trim and screws.

**Step 3** - Align the top of the flush mount side trim with the top of the unit's machine compartment. Using the screws included in the hardware kit, attach the side trim to the unit, only using the holes visible through the side trim. **Note: DO NOT use the screw holes in the machine compartment.**

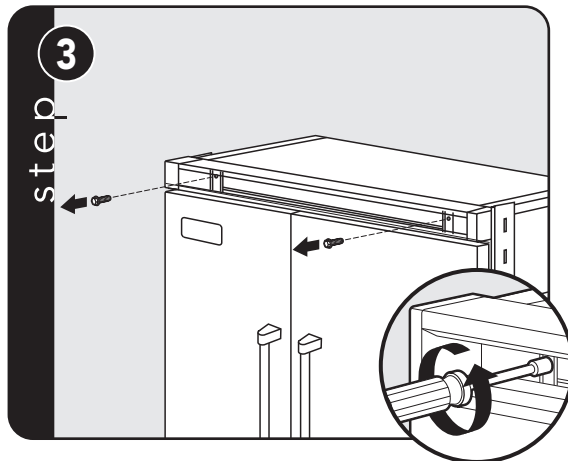
## Installation



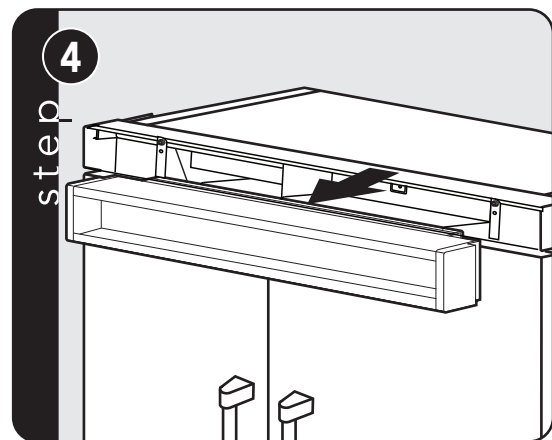
Place unit in front of cutout.



Pull the center grille louver up at an angle and pull out.



Using an 8" (20.3 cm) magnetic nut driver, remove the two 1/4" (0.6 cm) screws.

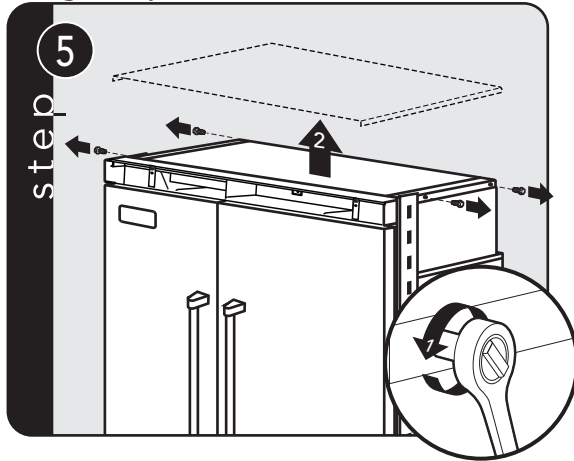


Remove grille assembly.

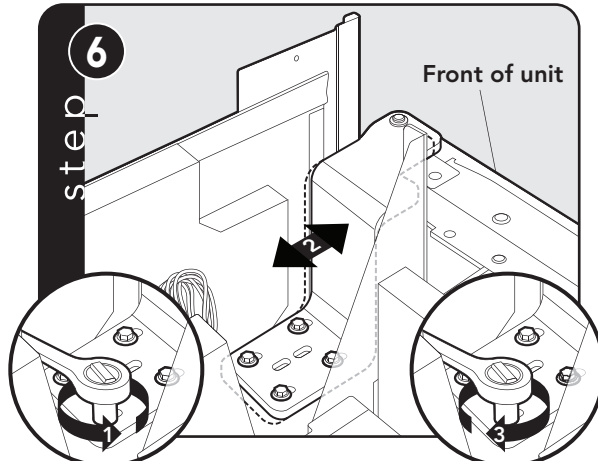


# Installation

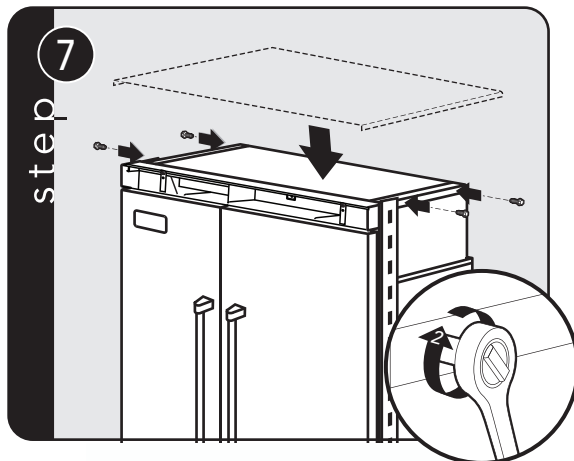
## Hinge Adjustment



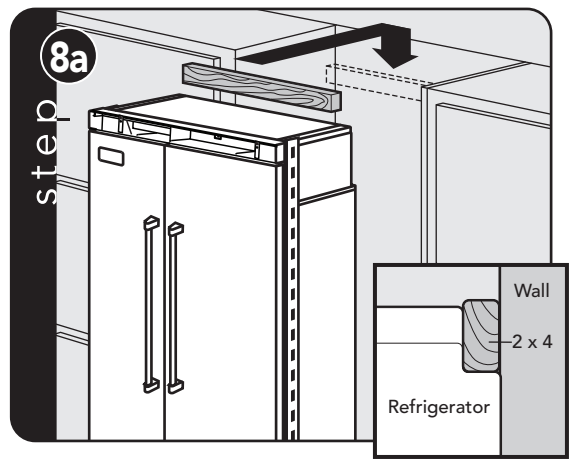
Remove four side screws and remove unit top.



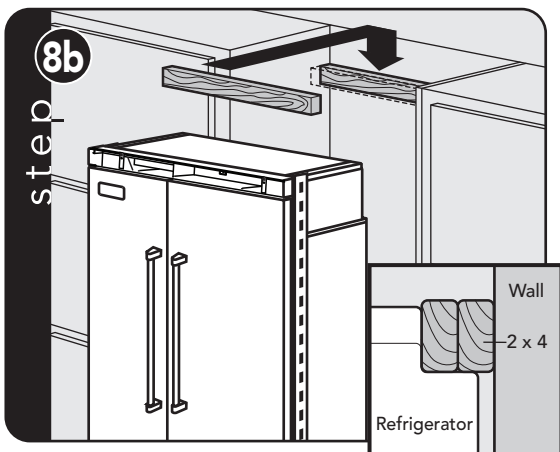
Loosen the four hinge screws. Adjust door.  
Retighten four hinge screws.



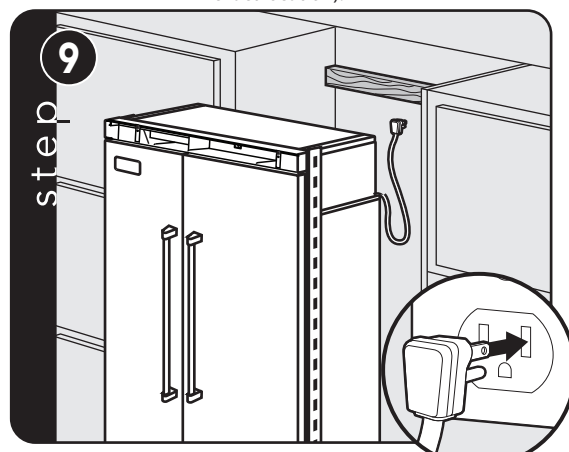
Replace unit top. Replace four side screws.



Attach one 2 x 4 to wall stud (refer to dimensions page for exact location).

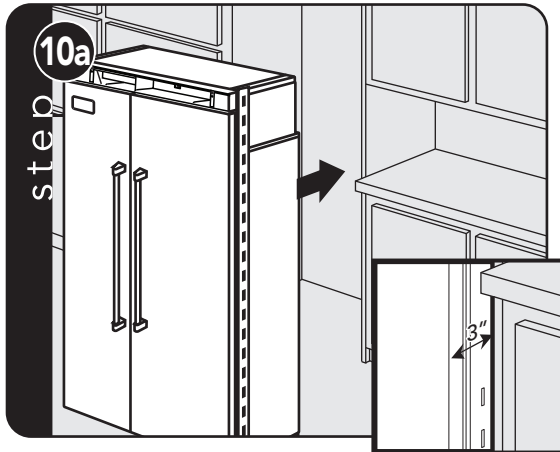


If needed, depending on cabinet and depth, attach second 2 x 4 to first 2 x 4.



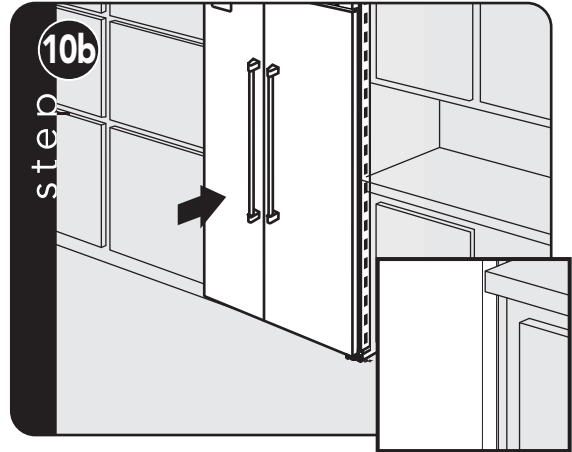
Plug in power cord to verify operation.  
**Note:** Make sure power switch is in the "On" Position.

# Installation

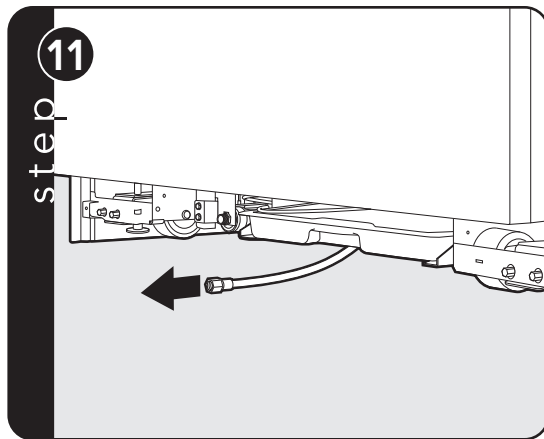


Place unit within 3" (7.6 cm) of being flush with cabinets.

**Note:** To avoid cabinet damage, place cardboard between cabinets and unit. When moving unit, **DO NOT** crimp, kink or crush water supply line.

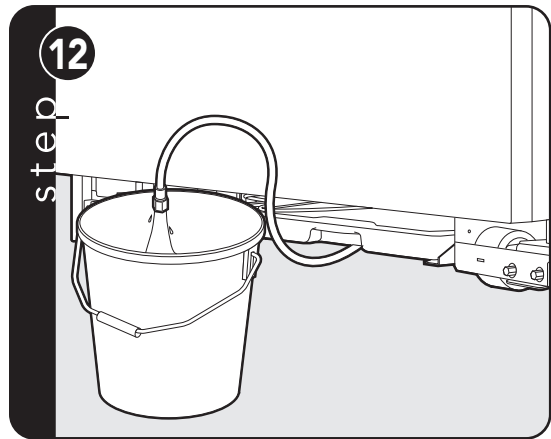


Carefully move unit until semi flush with cabinet (depending on unit).

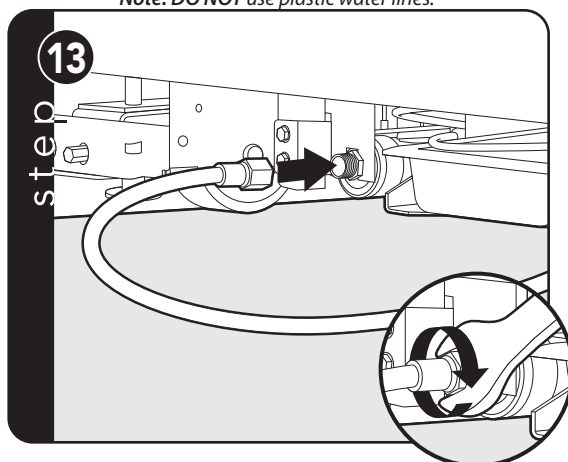


Pull supply tubing forward under unit.

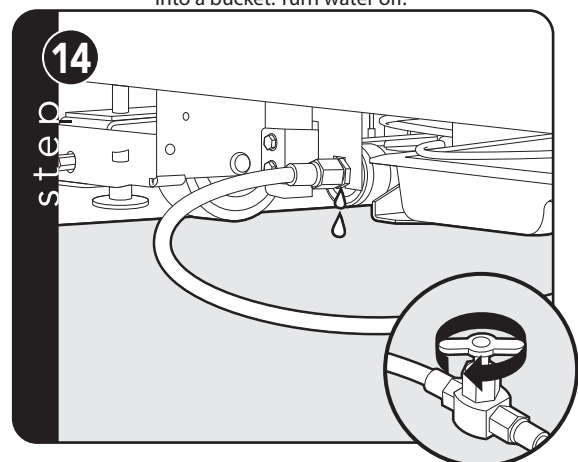
**Note:** **DO NOT** use plastic water lines.



Flush water line by running two quarts of water into a bucket. Turn water off.

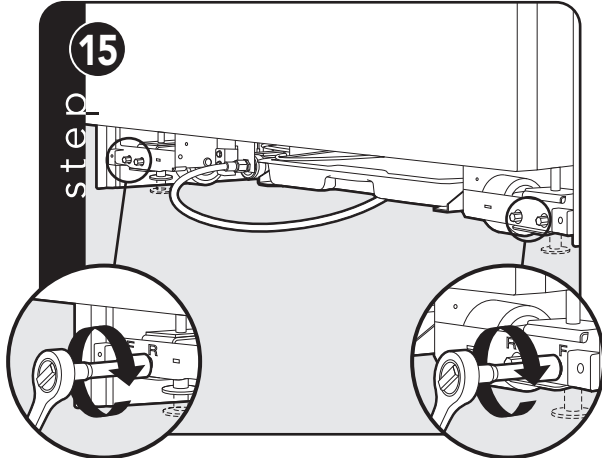


Connect supply tube to water valve using a 1/2" wrench. **Note:** **DO NOT** overtighten.

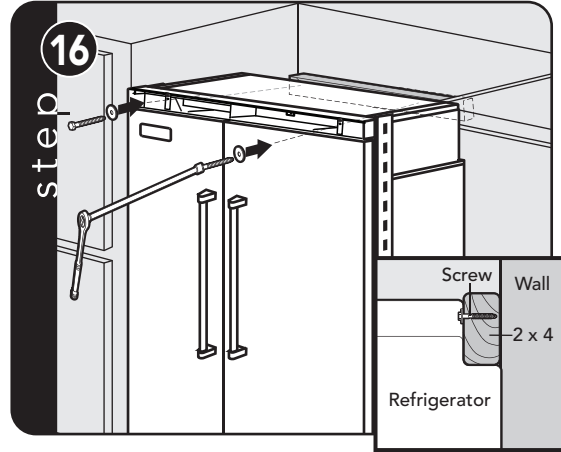


Turn on water supply and check for leaks.

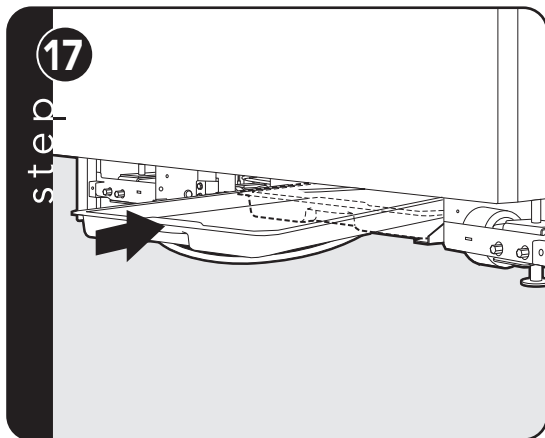
# Installation



Lift unit off rollers to desired height and level unit using a 5/16" head wrench. NOTE: DO NOT use an electric device. Overtightening can cause damage.

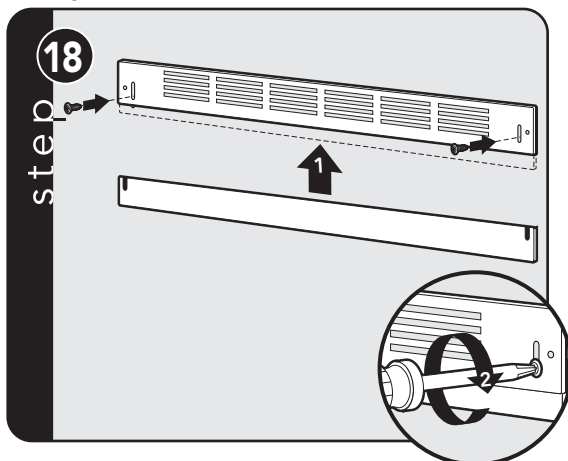


Insert mounting screws into 2x4 attached to wall stud

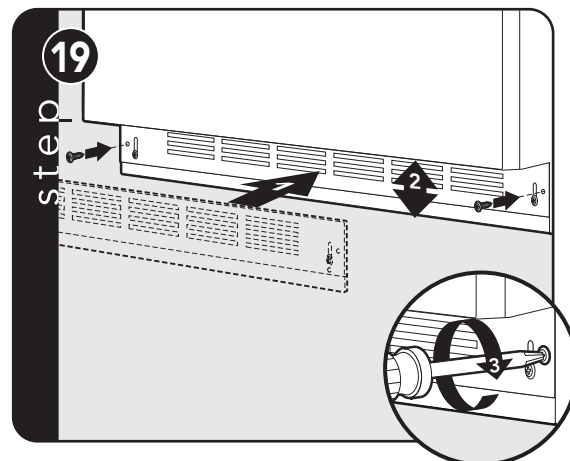


Make sure evaporator pan is in correct location.

## Kickplate Installation

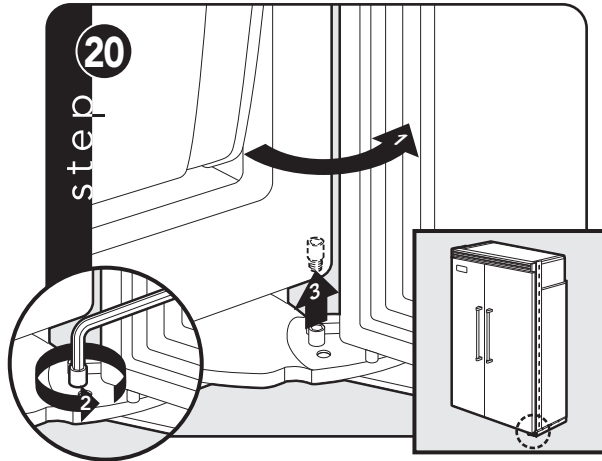


Align holes on both ends of louvered panels and insert screws.

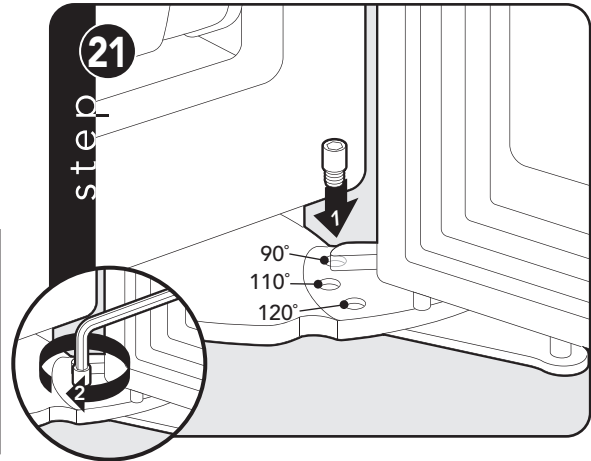


Using a Phillips screwdriver, attach the kickplate to the unit and adjust to desired height.

## Door Stop Adjustment

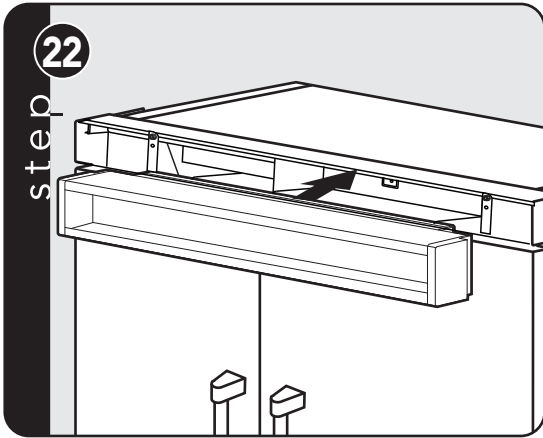


Open refrigerator door so door stop and shoulder screw are accessible. **Note:** Shoulder screw should be in 110° door opening position.

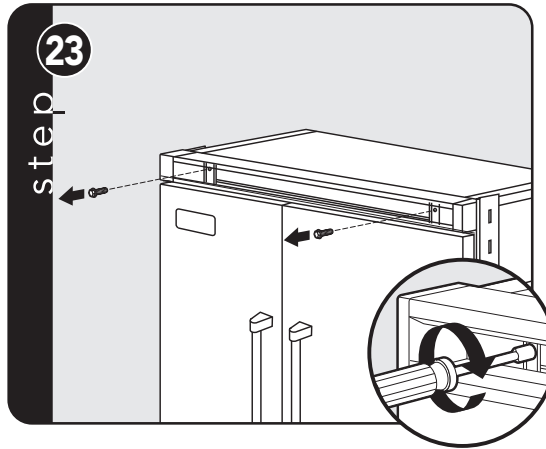


Remove shoulder screw and place in 90° or 120° position.

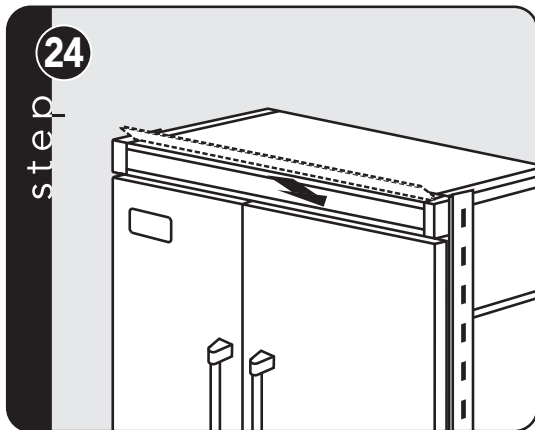
# Final Installation



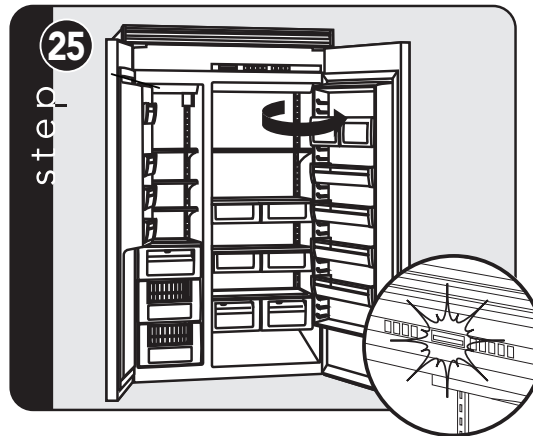
Replace top air grille.



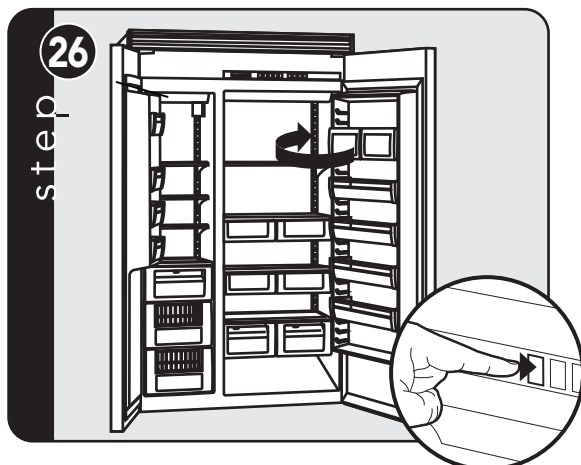
Using an 8" (20.3 cm) magnetic nut driver, replace the two 1/4" (0.6 cm) screws.



Replace the center grille louver.



Open door. The display should flash.



Press "ACTIVATE CONTROLS" pad and close door. **Note:** There is a 6 minute delay before the unit starts.

# Performance Checklist

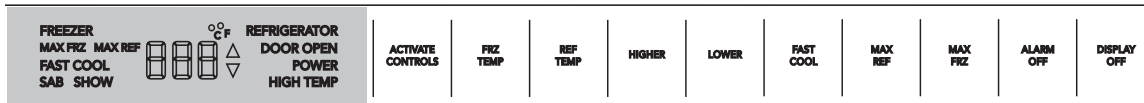
- Verify cabinet size.
- Verify electrical supply and water supply (if applicable).
- Install anti-tip device(s) and verify unit is secure.
- Position unit in cutout, level at desired height and secure unit.
- Plug-in unit and verify operation.
- Connect water supply (if applicable).
  - Verify icemaker fill tube is properly inserted.
  - Verify icemaker bail arm is down.
  - Verify dispenser operation (if applicable).
- Align/square door(s).
- Verify drain pan is properly installed and there are no leaks on water connection.
- Install kickplate.
- Remove internal packaging and labels and wipe unit down.



# Verify Operations

## Control Panel

### Side-by-Side



1. Press "ACTIVATE CONTROLS" pad.
2. Verify unit is not in Sabbath Mode.  
**If in Sabbath Mode:**
  - A. The Sabbath Mode will disable the interior lights, display (except SAB indicator, temperature and compartment indicator) and alarm.  
**To exit the Sabbath Mode:**
    - B. Press and hold "ACTIVATE CONTROLS" and then "DISPLAY OFF" for 3 seconds. (The control will beep three times to alert the user the Sabbath Mode has been exited.)
3. Verify unit is not in Showroom Mode.  
**If in Showroom Mode:**
  - A. The Showroom Mode will disable the refrigerator system but all other functions are normal. These include lights and control. (If the refrigerator is in Showroom Mode, SHOW will be lit.)  
**To exit Showroom Mode:**
    - B. Press and hold "ACTIVATE CONTROLS"; while holding, press and hold "HIGHER" and "ALARM OFF" together. (The control will beep three times to alert the user that Showroom Mode has been exited.)
4. Press "ACTIVATE CONTROLS" then press and hold "LOWER"; while holding, press and hold "DISPLAY OFF" and hold until beeps (force start compressor).
5. All models need to be set at 38° F and 0° F for the refrigerator and freezer respectfully - factory setting.

# Service & Registration

If service is required, call your authorized service agency.

Have the following information readily available.

- Model number
- Serial number
- Date purchased
- Name of dealer from whom purchased

Clearly describe the problem that you are having. If you are unable to obtain the name of an authorized service agency, or if you continue to have service problems, contact Viking Range, LLC at 1-888-(845-4641), or write to:

**VIKING RANGE, LLC  
PREFERRED SERVICE  
111 Front Street  
Greenwood, Mississippi 38930 USA**

The serial number and model number for your appliance are located on the identification plate mounted behind the top light.

Record the information indicated below. You will need it if service is ever required.

Model number \_\_\_\_\_

Serial number \_\_\_\_\_

Date of purchase \_\_\_\_\_

Date installed \_\_\_\_\_

Dealer's name \_\_\_\_\_

Address \_\_\_\_\_

If service requires installation of parts, use only authorized parts to insure protection under the warranty.

**KEEP THIS MANUAL FOR FUTURE REFERENCE.**

Viking Range, LLC  
111 Front Street  
Greenwood, Mississippi 38930 USA  
(662) 455-1200

For product information, call 1-888-(845-4641) or visit our web site at [vikingrange.com](http://vikingrange.com)

