



STANDARD FEATURES



DELUXE GRILLS

- Horizon Hood™ with spring-assisted hinges to hold at desired heights*
- Motion activated Stadium Lights™ with halogen under-hood lighting*
- Multi-purpose built-in ceramic infrared rotisserie / searing / finishing burner* from 14,000 to 18,000 Btu/hour (depending on model) with simple touch on function
- Patented high performance 321SS tubular Trellis Burner™ at 25,000 Btu/hour each
- Patented 5/16" thick stainless steel DiamondCut Grates™ lasered in-house
- Hot surface ignition system with lighting assist function

- High performance variable ceramic infrared sear burner at 25,000 Btu/hour each
- Patented symmetrical flip to clean radiant tray with monogrammed ceramic briquettes
- 647 square inch total grilling surface for 36" model. 774 square inch total grilling surface for 42" model.
- Available in 36" and 42" grill widths
- 12" built-in double side burner
- Marquise™ accented panels, side cart handle, and commercial end caps
- Large capacity storage drawer conveniently conceals propane tank with multiple storage areas
- Standard internal support for LP gas tank
- Left side Marquise™ paneled fold-down side shelf for extra work space
- Extra-large gray front wheels and commercial grade gray casters with 360 degrees of maneuverability for the smoothest cart movement

Laser Cut Stainless Steel Grate - 5/16" thick



Under-Hood Lighting



Multi-Purpose Ceramic Infrared Rotisserie



Pull Out Full Width Front Access Drawer



Model number as shown
GABR36CX2

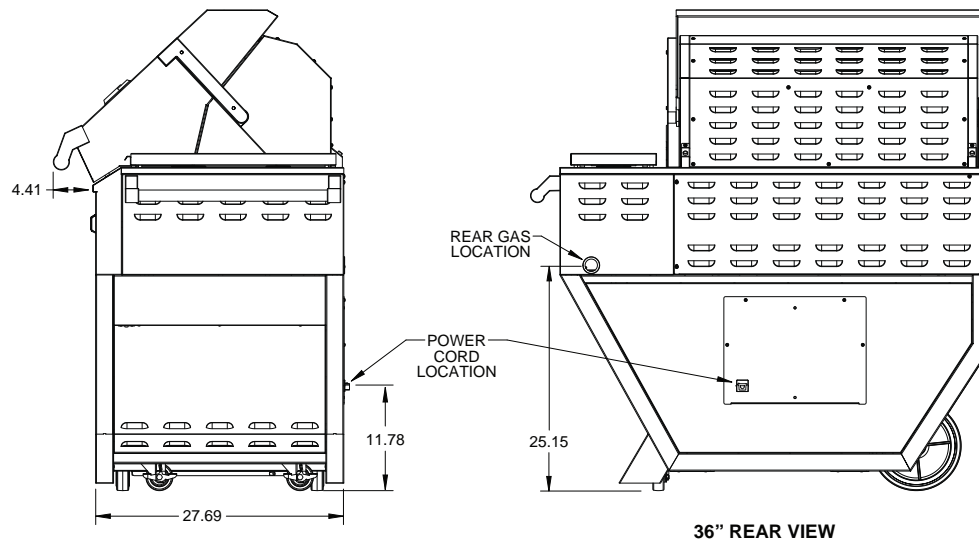
- Concealed chain driven whisper quiet rotisserie motor system with a single speed, 6 rpm, 50 in-lbs motor
- Split shelf warming rack (42" model only) features an upper shelf position for browning and melting under the infrared rotisserie burner, and a lower shelf position to keep food warm.
- Double side burners: 20,000 Btu/hour brass front burner and 10,000 Btu/hour brass rear burner
- 1/4" thick DiamondCut Grate™
- Sealed burner bowl with drain tube for easy cleaning
- Electronic spark ignition system with re-ignition capability on side burner
- LED lighting on front control panel for grill and side burner
- 120V, 60Hz, 7 amp
- Please refer to Built-In Grills and Side Burner spec sheets for additional features

* = patent pending



OPTIONS & ACCESSORIES

- Natural Gas (NG) or Liquid Propane (LP)
- Twelve (12) Hestan signature color finishes
- Carbon Fiber Vinyl Cover
- Gas conversion kits (NG/LP)
- Variable Sear Burner conversion kit
- Trellis Burner™ conversion kit
- High Altitude Kit
- Griddle Plate
- Charcoal Tray



with 36" grill head



with 42" grill head



Shown in optional color



Colors Available

All Models	Description	Overall Dims			Total Btu's
		W(in.)	x D(in.)	x H(in.)	
G_BR36CX2-NG / -LP	Deluxe Freestanding 36" grill with double side burner	54-3/4	32-1/2	53-9/16	119000
G_BR42CX2-NG/ -LP	Deluxe Freestanding 42" grill with double side burner	60-3/4	32-1/2	53-9/16	148000

_ = specify burner configuration

A= all Trellis Burners M= Sear and Trellis Burners S= all Sear Burners

ELECTRICAL REQUIREMENTS :

120V, 60Hz, 7 amps

GAS REQUIREMENTS : 1/2" NPT gas connection. Minimum gas supply is 7" water column for natural gas and 11" for propane.

Operating pressure at the manifold is 4" water column for natural gas and 10" for propane.

All units require a regulated gas supply. (included)

Hestan Outdoor products are approved for outdoor use only. Hestan Commercial Corporation reserves the right to change materials and specifications without notice. Specify type of gas when ordering.