

# Combination Microwave Oven, 24"

Series 5 | Contemporary

Stainless Steel

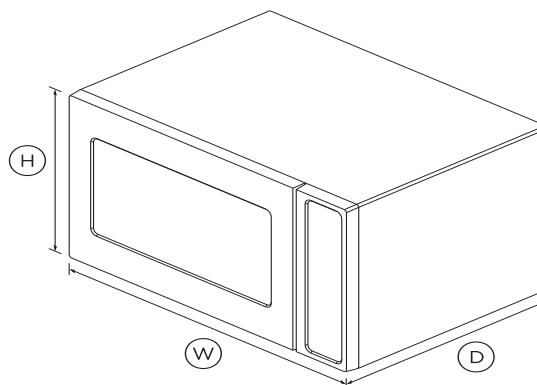


A flexible appliance that pairs the speed of microwave cooking with oven technology, which can crisp and brown as it cooks.

- 1.5 cu ft total capacity
- 12 cooking modes including Defrost, Popcorn and Reheat
- Use the 30" Microwave trim kit to integrate this microwave with your cabinetry
- Part of our suite of companion products, designed to match aesthetically for flexible configurations

## DIMENSIONS

Height	14 <sup>7</sup> / <sub>8</sub> "
Width	24 <sup>5</sup> / <sub>8</sub> "
Depth	19 "



## Product dimensions

Depth	19 "
Height	14 <sup>7</sup> / <sub>8</sub> "
Width	24 <sup>5</sup> / <sub>8</sub> "

SKU 70997

TEST The product dimensions and specifications in this page apply to the specific product and model. Under our policy of continuous improvement, these dimensions and specifications may change at any time. You should therefore check with Fisher & Paykel's Customer Care Centre to ensure this page correctly describes the model currently available. ? Fisher & Paykel Appliances Ltd 2020

## SPECIFICATIONS

### Capacity

Total capacity 1.5cu ft

### Functions

Popcorn •

### Power requirements

Supply frequency 60Hz  
Supply voltage 120 - 240V

---

Other product downloads available at [fisherpaykel.com](http://fisherpaykel.com)



User Guide



Service & Warranty Booklet



Installation Guide



Resources (zip)



**A PEACE OF MIND SALE**

24 Hours 7 Days a Week Customer Support

T 1.888.936.7872 **W**[www.fisherpaykel.com](http://www.fisherpaykel.com)