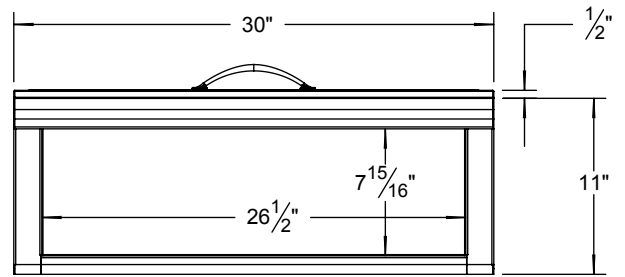
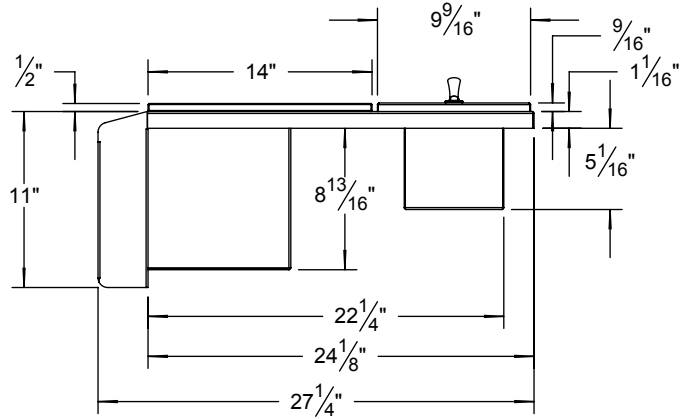


**APS-30PPC TYPICAL INSTALLATION**



**FRONT VIEW**



**PROFILE VIEW**

**COUNTERTOP CUTOUTS REQUIREMENTS**

